

Figure 1
40 Storage Tank Parts Assembly

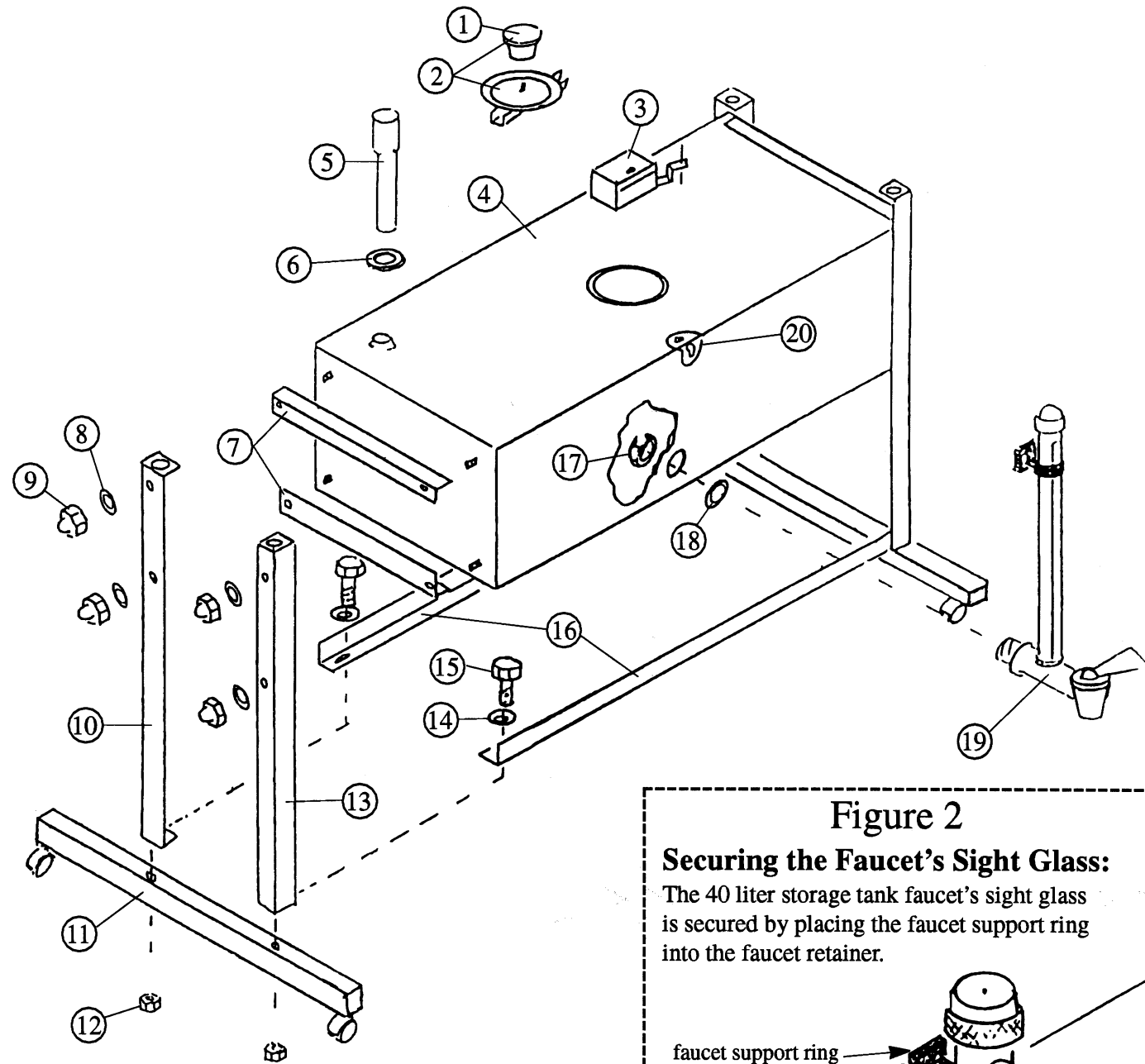
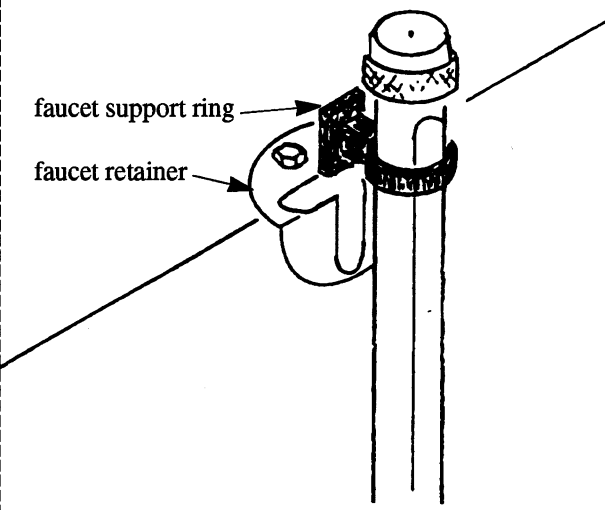


Figure 2

Securing the Faucet's Sight Glass:

The 40 liter storage tank faucet's sight glass is secured by placing the faucet support ring into the faucet retainer.



Model 40 Liter Storage Tank Instructions

Catalogue # 400433

Congratulations on your purchase of one of the world's finest storage tanks for distilled water. The people at DURASTILL are pioneers in the development of fan-cooled water distilling systems. They have manufactured tens of thousands of distillers and storage tanks since 1970 and are proud of their products.

The 40 Liter Storage Tank is designed to be used in conjunction with a DURASTILL distiller. It features stainless steel construction, full level float control (deactivates the water distiller when full), water level sight glass on faucet, and swivel casters for easy maneuverability. With proper usage this sturdy unit can provide years of satisfying operation.

CAUTION

Plug distiller/ storage tank combination into a properly grounded 120 Volt A.C. current-limited outlet only. Failure to do this may cause a fire or personal injury. Never repair or adjust distiller while it is plugged into the outlet.

Model 40 Liter Storage Tank Parts List

Item #	Part #	Qty	Description
1	200056	1	Lid knob
2	400043	1	Lid assembly
3	400041	1	Float control box (FS-1 attached)
4	400435	1	40 Liter storage tank body
5	100052	1	4" Filler tube
6	100053	1	Filler tube gasket
7	120005	4	Side trim (12 1/4")
8	300176	8	Stainless steel washers 5/16" ID x 5/8" OD
9	300108	8	Plated acorn nuts
10	400437	2	Leg assembly (left)
11	400474	2	Leg support assembly
12	300106	8	1/4-20 Hex nuts (packed on tank ends)
13	400436	2	Leg assembly (right)
14	300152	8	Plated washers 5/16" ID x 3/4" OD (packed on tank ends)
15	300015	4	1/4-20 x 1 1/2" Hex plated bolts
16	120006	2	Front and back trim (19 7/8")
17	300113	1	3/8" Hex nut (black poly) on faucet
18	300163	1	Faucet washer
19	400531	1	11 1/2" Faucet with ring support
20	140005	1	Faucet retainer (attached to tank)
21	100051	1	Drain tube (see Figure 3)

DURASTILL

4200 NE Birmingham Rd. • Kansas City, MO 64117
(816) 454-5260 • FAX (816) 452-7581

Instructions for the assembly of the 40 Liter Tank and Stand:

1. Unpack storage tank body and stand parts. Save nuts and washers used to support cardboard on tank ends for step # 7. Remove all packaging material. Be careful not to disturb the position of the spring clip on the float stem when removing the packing material around the float box on the storage tank.
2. Check the parts shipped against those listed on Page 1.
3. The left side will be assembled first and then the right side. To begin, select two pieces of side trim and place them on the storage tank left side bolts so the trim covers the top and bottom edges of the storage tank as shown in Figure 1.
4. Place left and right leg assemblies on the storage tank bolts so that the legs cover the front and back edges of the storage tank and corners of the side trim.
5. Place a stainless steel washer and an acorn nut on each of the side bolts.
Important: Do not tighten connections until unit is assembled.
6. Repeat steps 3 through 5 on the right side of the storage tank.
7. Select one leg support assembly and one piece of the front trim. Place the front trim on the inside bottom of the leg ends so that the slot in the trim overlaps the leg slots. Slip a washer (saved from step #1) on a 1/4-20 x 1 1/2" bolt and insert it down through the front trim and leg end. Place the support assembly on the underside of the leg ends, aligning the holes with the bolt going through the leg bottoms. Install 1/4-20 nut.
8. Add the back trim on the back leg and insert a 1/4 -20 bolt and washer and nut.
9. Repeat steps 7 and 8 for the other side.
10. Tighten all connections.
11. Remove tank lid following directions found on page 3. Select the faucet, rubber washer and 3/8" black poly hex nut. Place rubber washer on threads of the faucet and insert faucet threads through the hole near the bottom front of the storage tank as shown in Figure 1.
12. Attach the 3/8" black poly hex nut on faucet threads inside the storage tank and tighten. For proper operation, the sight glass must be vertical. **Do not** use the sight glass as a lever to tighten the faucet. Pressure on this part of the faucet may break the faucet housing and void its warranty. Be sure that the sight glass is vertical. Place the faucet support ring into the slot of the retainer at the top of the tank (see Figure 2).
13. Place the filler tube gasket on the filler tube and then place filler tube in hole at the left top corner of the storage tank. (Do not install PST filter, if used, until after steaming storage tank.)
14. Clean inside of storage tank by first wiping out the inside of the tank with a damp cloth.
Do not use cleaners. Place distiller on tank, following directions found on page 3. Steam the tank, following directions found in the distiller manual, by turning off the distiller fan. (Connect the distiller output to the 4" stainless steel tube because flexible tubing can become discolored by the steaming process.) Allow the steam to enter the tank for twenty to thirty minutes. Check for leaks, drain the tank and rinse. Cover with lid.

Removal and Installation of Storage Tank Locking Lid:

To remove the locking lid from the storage tank, unscrew knob on lid two to three turns and slide lid over until locking bar clears hole. Lid should now lift out.

To replace storage tank locking lid, loosen locking bar (if not already loose) by unscrewing lid knob. Slide locking bar under rim of storage tank opening. Center the lid over opening. Lift up on the knob while screwing lid tight.

To Mount Distiller on Storage Tank Stand:

1. Disconnect distiller from electrical and water sources.
2. Drain distiller of any water.
3. Remove plastic legs from the distiller.
4. Place distiller on storage tank stand. Be sure that the distilled water outlet fits into the filler tube on storage tank.
5. Loosen and remove drain nut, insert drain tube and compression fitting, and replace nut as shown in Figure 3.
6. Reconnect water supply to distiller.
7. Plug distiller into receptacle on float control box (FS-1) of storage tank, and plug storage tank plug into a properly grounded 120 Volt A.C. 60 Hz current-limited power source (15 amp breaker or fuse; NEMA 5-15R receptacle).

These distillers and storage tanks are intended for use on a municipal or well water supply system.

Do not attempt to purify water heavily polluted with industrial wastes or toxic chemicals.

